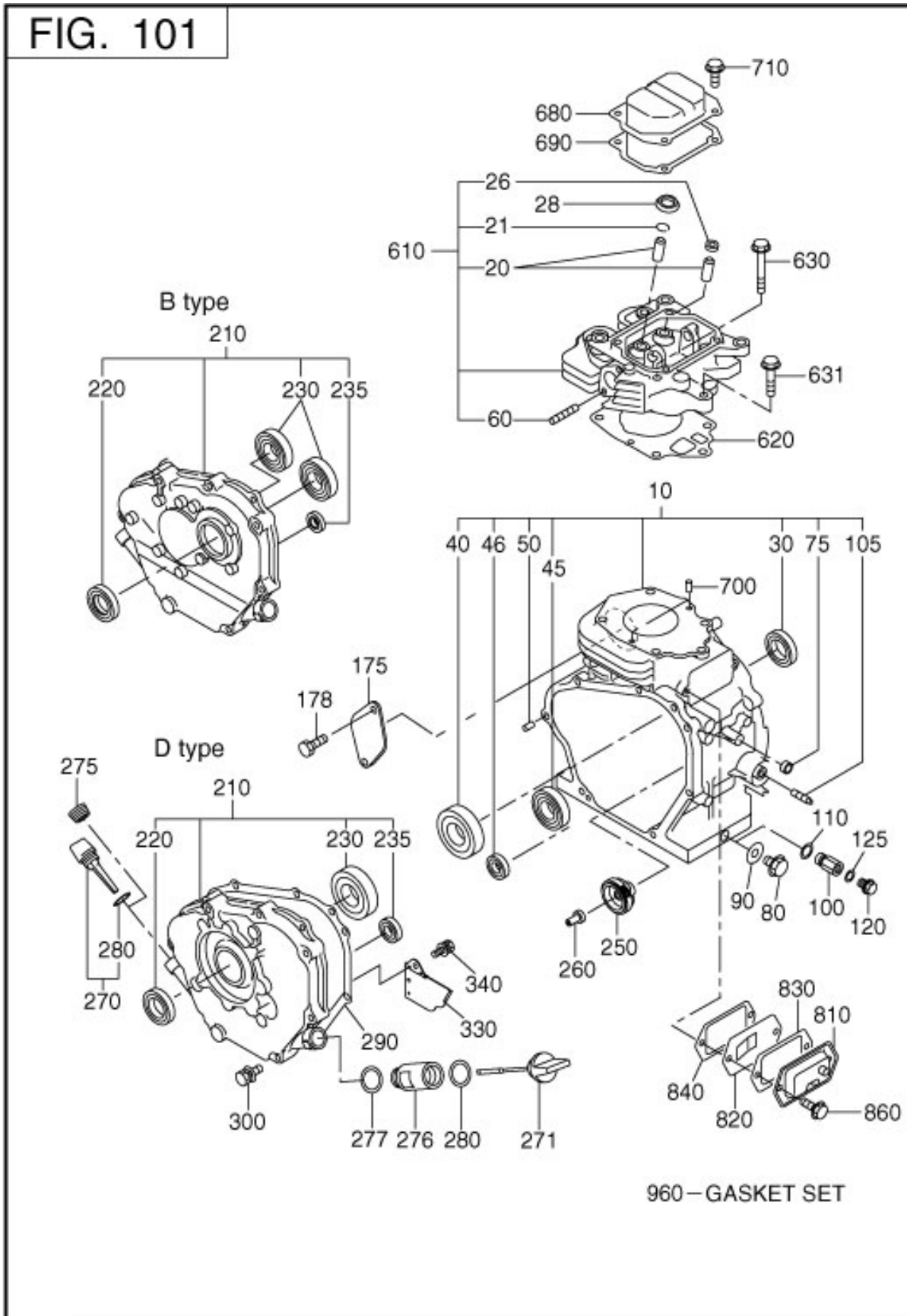


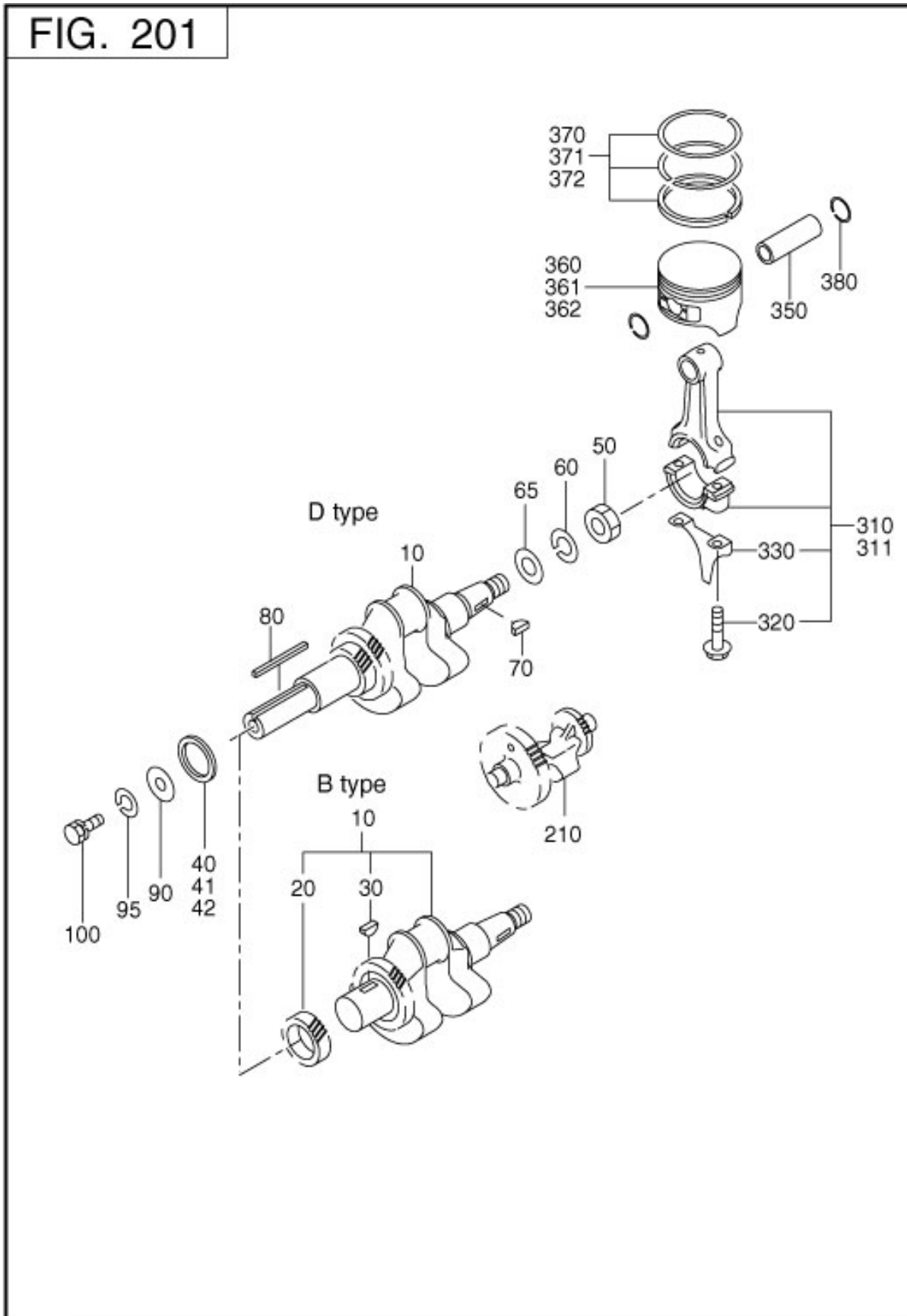
1 CRANKCASE



REF	PART NUMBER	PART NAME	CODE NO.	QTY	REMARKS	INTERCHANGE
10	247-10301-71	CRANKCASE CP	7092-	1		247-10301-81
	247-10301-51	CRANK CASE CP	5241-7091	1		247-10301-61
	247-10301-41	CRANKCASE CP	-5240	1		247-10301-51
20	263-14211-03	VALVE GUIDE	5125-	2	6DX11DX32.5L	
	246-14202-03	VALVE GUIDE	-5124	2	6.6DX11DX33.5L	
21	056-51000-50	CLIP	5385-	1	10.7DX0.9D	
	056-51000-40	CLIP	5056-5384	1	10.4DX0.8D	
	056-51000-30	CLIP	4742-5055	1	10.4DX1D	
26	132-07AA0-50	SEAL-INT VALVE	5056-	1		
28	263-35341-03	RETAINER PLATE	5385-	1	11DX17.3DX27DX4.7H	
30	044-03500-90	OIL SEAL	-	1	35DX48DX8B	044-03500-91
40	060-03500-10	BALL BEARING	-	1	35DX72DX17B	
45	060-02500-10	BALL BEARING	-	1	25DX52DX15B	
46	060-01500-11	BALL BEARING	7092-	1	15DX35DX11B	
	060-01500-10	BALL BEARING	-7091	1	15DX35DX11B	060-01500-11
50	031-00600-20	DOWEL PIN	-	2	6DX14.5L	
60	010-50804-30	STUD	-	2	M8X1.25X43L	
75	044-00800-10	OIL SEAL	5241-	1	8DX14DX4B	
80	040-11400-30	PLUG	-	2	M14X1.5X20DX12L	
90	021-11400-20	GASKET	-	2	14.1DX19DX2.3T	
105	010-50801-20	STUD	-	1	M8X1.25X35L W/GROOVE	
175	224-17101-03	BLIND COVER	-	1		
178	001-65081-20	BOLT	-	2	M8X1.25X12L	
210	246-10901-41	MAINBEARING COVER CP	7092-	1		
	246-10901-31	MAIN BEARING COVER C	-7091	1		246-10901-41
220	044-03500-90	OIL SEAL	-	1	35DX48DX8B	044-03500-91
230	060-03500-10	BALL BEARING	-	2	35DX72DX17B	
235	060-01500-11	BALL BEARING	7092-	1	15DX35DX11B	
	060-01500-10	BALL BEARING	-7091	1	15DX35DX11B	060-01500-11
250	246-45001-01	GOVERNOR GEAR CP	-	1	49DX26T N=31	

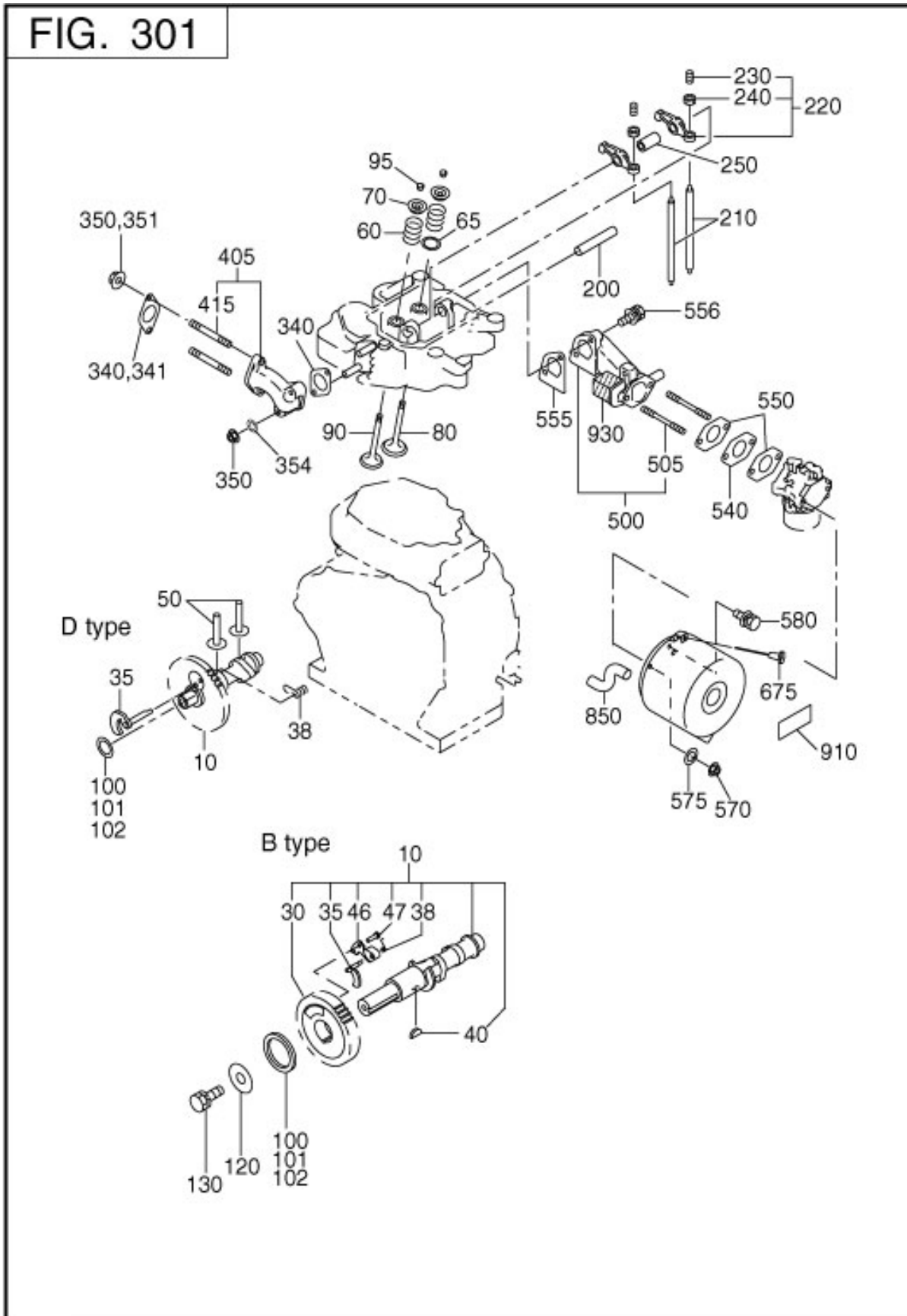
REF	PART NUMBER	PART NAME	CODE NO.	QTY	REMARKS	INTERCHANGE
260	205-41901-03	GOVERNOR SLEEVE	-	1	6DX9DX16DX26L	
270	224-63601-01	OIL GAUGE CP	5338-	1	M22X1.5 L=64+25	
	224-63601-03	OIL GAUGE	-5337	1	M22X1.5 L=64+25	224-63601-01
275	042-02200-10	PLUG(RUBBER)	-	1	22.2DX26DX12.5L	
280	021-32000-50	GASKET	5511-	1	20DX27DX1.5T RUBBER	
	021-32000-10	GASKET	-5510	1	20DX27DX1.5T RUBBER	021-32000-50
290	246-15101-13	GASKET(BEARING COVER	5071-	1	T=0.3	
	246-15101-03	GASKET(BEARING COVER	-5070	1	T=0.3	246-15101-13
300	001-13084-00	BOLT AND WASHER AY	-	7	M8X1.25X40L W/SW	
610	247-13011-41	CYLINDER HEAD CP	5385-	1		
	247-13011-31	CYLINDER HEAD CP	5056-5384	1		
	247-13011-21	CYLINDER HEAD CP	4742-5055	1		247-13005-01
	247-13001-31	CYLINDER HEAD CP	-4741	1		247-13011-21
620	247-15001-23	GASKET(HEAD)	6363-	1	T=0.2	
	247-15001-13	GASKET(HEAD)	-6362	1	T=0.3	247-15001-23
630	011-01000-40	FLANGE BOLT	-	4	M10X1.25X19DX75L	
631	011-01000-20	FLANGE BOLT	-	1	M10X1.25X19DX42L	
680	246-15501-01	ROCKER COVER CP	-	1		
690	246-16002-13	GASKET(ROCKER COV)	-	1	T=1.9	
700	031-00600-20	DOWEL PIN	-	2	6DX14.5L	
710	011-00600-20	FLANGE BOLT	-	4	M6X1.0X14DX12L	
810	246-14301-01	BREATHER COVER CP	-	1		
820	246-14401-01	BREATHER PLATE CP	-	1		
830	246-16006-03	GASKET(BREATHERCOVER	-	1	T=0.8	
840	246-16007-13	GASKET(BREATHERPLATE	-	1	T=2.0	
860	011-00600-30	FLANGE BOLT	-	2	M6X1.0X14DX14L	
960	247-99002-27	GASKET SET	-	1		

2 CRANKSHAFT,PISTON



REF	PART NUMBER	PART NAME	CODE NO.	QTY	REMARKS	INTERCHANGE
10	246-20101-11	CRANKSHAFT CP	7245-	1		
	246-20101-01	CRANKSHAFT CP	-7244	1		246-20101-11
20	246-22301-03	CRANKSHAFT GEAR	-	1		
30	005-32054-01	WOODRUFF KEY	-	1	5BX7.5HX19D	
40	023-03501-60	SPACER	-	1	35.3DX45DX0.6T	
41	023-03501-70	SPACER	-	1	35.3DX45DX0.8T	
42	023-03501-80	SPACER	-	1	35.3DX45DX1.0T	
50	018-01800-10	FLANGE NUT	6727-	1	M18X1.5X31DX14H	
	002-18180-00	NUT	-6726	1	M18X1.5X15H	
60	003-20180-00	SPRING WASHER	-6726	1	18.2DX31DX4.6T	
65	003-10180-00	WASHER	-	1	19DX32DX2.6T	
70	005-32054-01	WOODRUFF KEY	-	1	5BX7.5HX19D	
80	005-30073-51	KEY	-	1	7BX7HX35L	
210	246-24105-23	BALANCER SHAFT	-	1		
310	246-22503-00	CONNECTING ROD AY	-	1		
311	246-22506-00	CONNECTING ROD AY	-	1	0.25 U.S.	
320	246-23001-13	CONNECTING ROD BOLT	4796-	2	M8X1.25X14.6DX46L	
	246-23001-03	CONNECTING ROD BOLT	-4795	2	M8X1.25X14.6DX46L	246-23001-13
330	246-23101-13	OIL SCRAPER	-	1		
350	246-23301-13	PISTON PIN	6666-	1	21DX17DX64.2L	
	246-23301-03	PISTON PIN	-6665	1	21DX17DX64.2L	246-23301-13
360	247-23401-H3	PISTON	6666-	1	STD (84DX58H)	
	247-23401-13	PISTON	-6665	1	STD (84DX58H)	247-23401-H3
361	247-23402-H3	PISTON	-	1	0.25 O.S.(84DX58H)	
362	247-23403-H3	PISTON	-	1	0.50 O.S.(84DX58H)	
370	247-23501-17	PISTON RING SET	-	1	STD (84D)	
371	247-23502-17	PISTON RING SET	-	1	0.25 O.S.(84D)	
372	247-23503-17	PISTON RING SET	-	1	0.50 O.S.(84D)	
380	056-52100-20	CLIP	-	2	22.1DX1.4D	

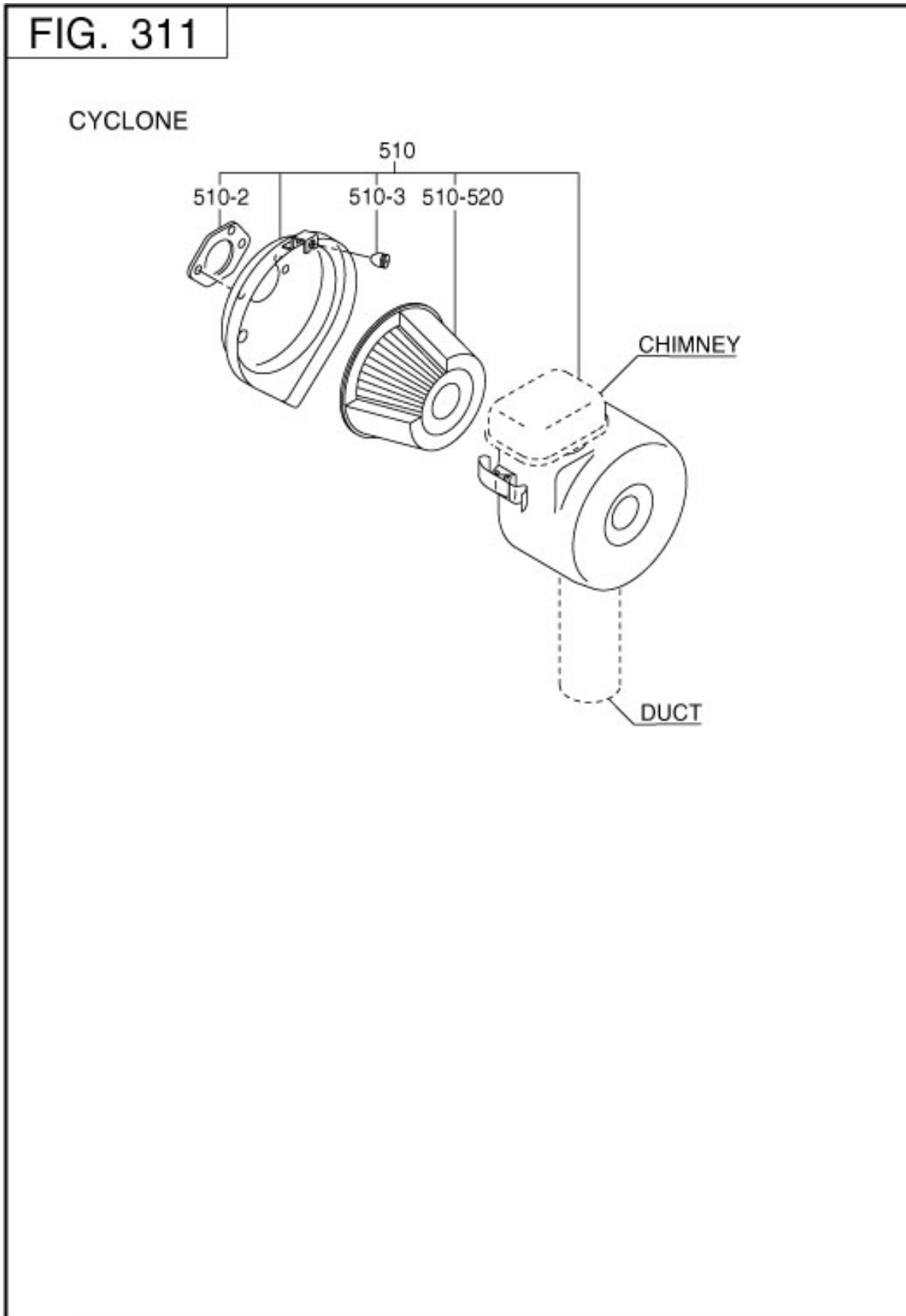
3 INTAKE EXHAUST



REF	PART NUMBER	PART NAME	CODE NO.	QTY	REMARKS	INTERCHANGE
10	246-31601-01	CAMSHAFT CP	-	1		
30	246-33201-03	CAMSHAFT GEAR	-	1		
35	246-36202-11	RELEASE LEVER CP	4313-	1		
	246-36202-01	RELEASE LEVER CP	-4312	1		246-36202-11
38	246-36702-13	RETURN SPRING	-	1		
40	005-32044-01	WOODRUFF KEY	-	1	4BX7.5HX19D	
46	246-36802-03	HOLDER(DECOMP)	-	1		
47	246-36803-03	RIVET	-	2		
50	246-33301-03	TAPPET	-	2	27DX9DX48L	
60	246-33611-03	VALVE SPRING	-	2	22.2DX2.9DX37L N=6.5	
65	020-02000-10	WASHER	5385-	1	20DX26DX0.8T	
	020-02000-10	WASHER	-5384	2	20DX26DX0.8T	
70	246-33711-13	SPRING RETAINER	5511-	2	7.6DX26DX8T	
	246-33711-03	SPRING RETAINER	-5510	2	7.6DX26DX8T	246-33711-13
80	263-33401-03	INTAKE VALVE	5056-	1	35DX6DX79.8L	
	246-33411-03	INTAKE VALVE	-5055	1	35DX6.6DX80L	
90	263-33502-13	EXHAUST VALVE	6149-	1	31DX6DX80.3L	
	263-33502-03	EXHAUST VALVE	5056-6148	1	31DX6DX80.3L	263-33502-13
	246-33511-03	EXHAUST VALVE	-5055	1	31DX6.6DX80L	
95	246-35501-03	COLLET-VALVE	-	4		
100	023-03501-60	SPACER	-	1	35.3DX45DX0.6T	
101	023-03501-70	SPACER	-	1	35.3DX45DX0.8T	
102	023-03501-80	SPACER	-	1	35.3DX45DX1.0T	
120	020-00800-20	WASHER	-	1	8.5DX35DX4.5T	
130	001-13082-00	BOLT AND WASHER AY	-	1	M8X1.25X20L W/SW	
200	239-35001-03	ROCKER SHAFT	-	1	12DX75L	
210	246-35301-11	PUSH ROD CP	-	2	8DX140.5L	
220	246-36101-10	ROCKER ARM AY	-	2		
230	014-90800-21	ADJUSTING SCREW	-	1	M8X0.75X13.4L	
240	017-00800-90	NUT	-	1	M8X0.75X5.1H	

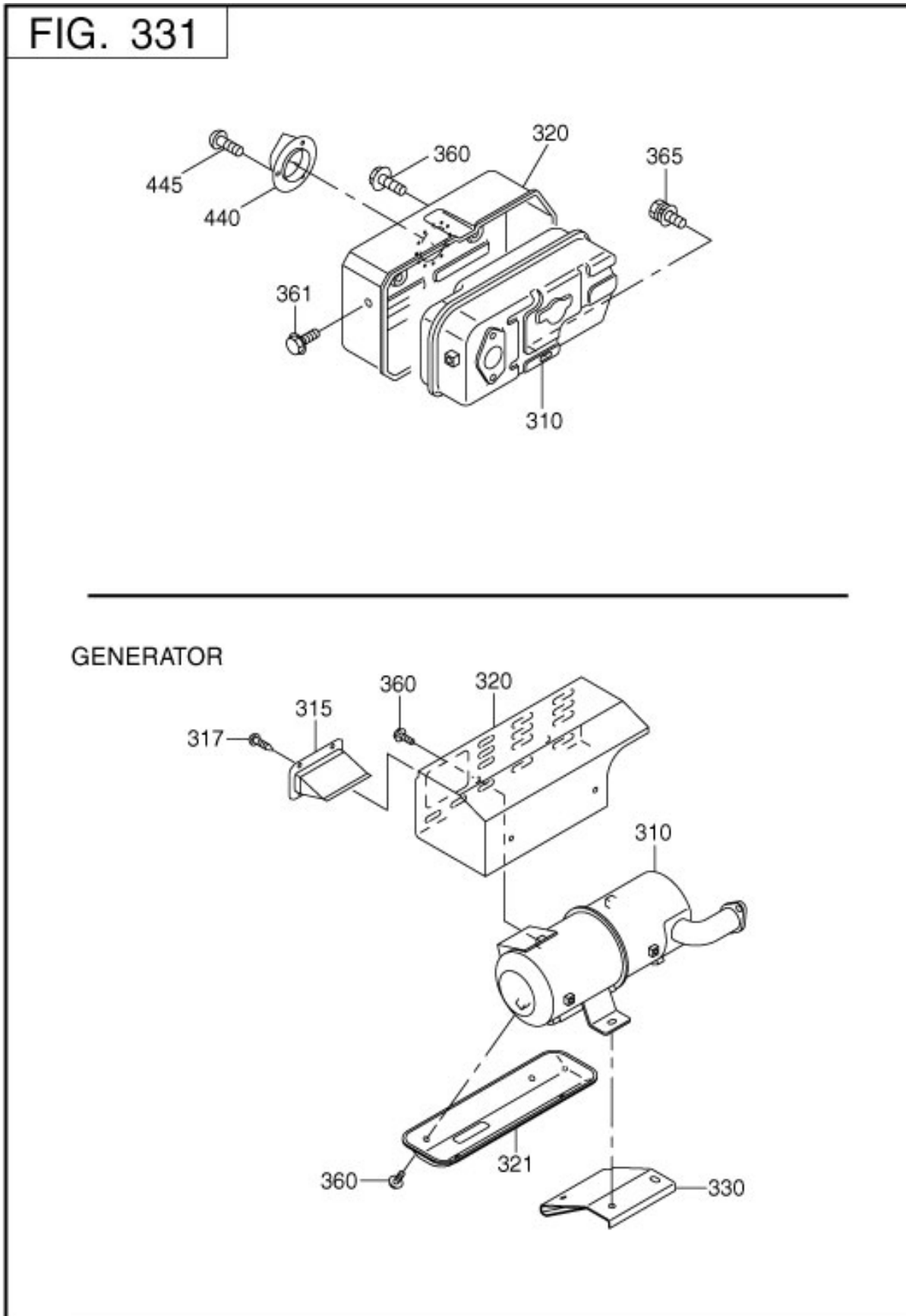
REF	PART NUMBER	PART NAME	CODE NO.	QTY	REMARKS	INTERCHANGE
250	246-36120-13	SPACER(ROCKER SHAFT)	-	1	12.1DX16DX30.9T	
340	246-35201-03	GASKET(MUFFLER)	-	2	T=0.2 30D 8.5DX52P	
350	018-00800-10	FLANGE NUT	-	4	M8X1.25X17DX7.5H	
405	246-34001-01	EXHAUST PIPE CP	-	1		
415	010-50803-60	STUD	-	2	M8X1.25X88L	
500	246-33001-01	INTAKE PIPE CP	-	1		
505	010-50602-30	STUD	-	2	M6X1.0X80L	
540	246-32901-03	INSULATOR	-	1	T=2.5 25D 6.5DX46P	
550	234-35902-03	GASKET2(INSULATOR)	-	2	T=0.2 25D 6.5DX46P	
555	246-36001-13	GASKET(IN.PIPE)	-	1	T=0.2	
556	001-13082-80	BOLT AND WASHER AY	-	3	M8X1.25X28L W/SW	
570	002-38060-00	FLANGE NUT	-	2	M6X1.0X13DX6H	
580	001-10061-20	BOLT AND WASHER AY	-	1	M6X1.0X12L W/SW	
675	246-45006-01	KNOB CP	-	1		
850	246-10801-13	RUBBER PIPE	5226-	1	8DX11D FORMED	
	246-10801-03	RUBBER PIPE	-5225	1	8DX11D FORMED	246-10801-13

3 INTAKE EXHAUST



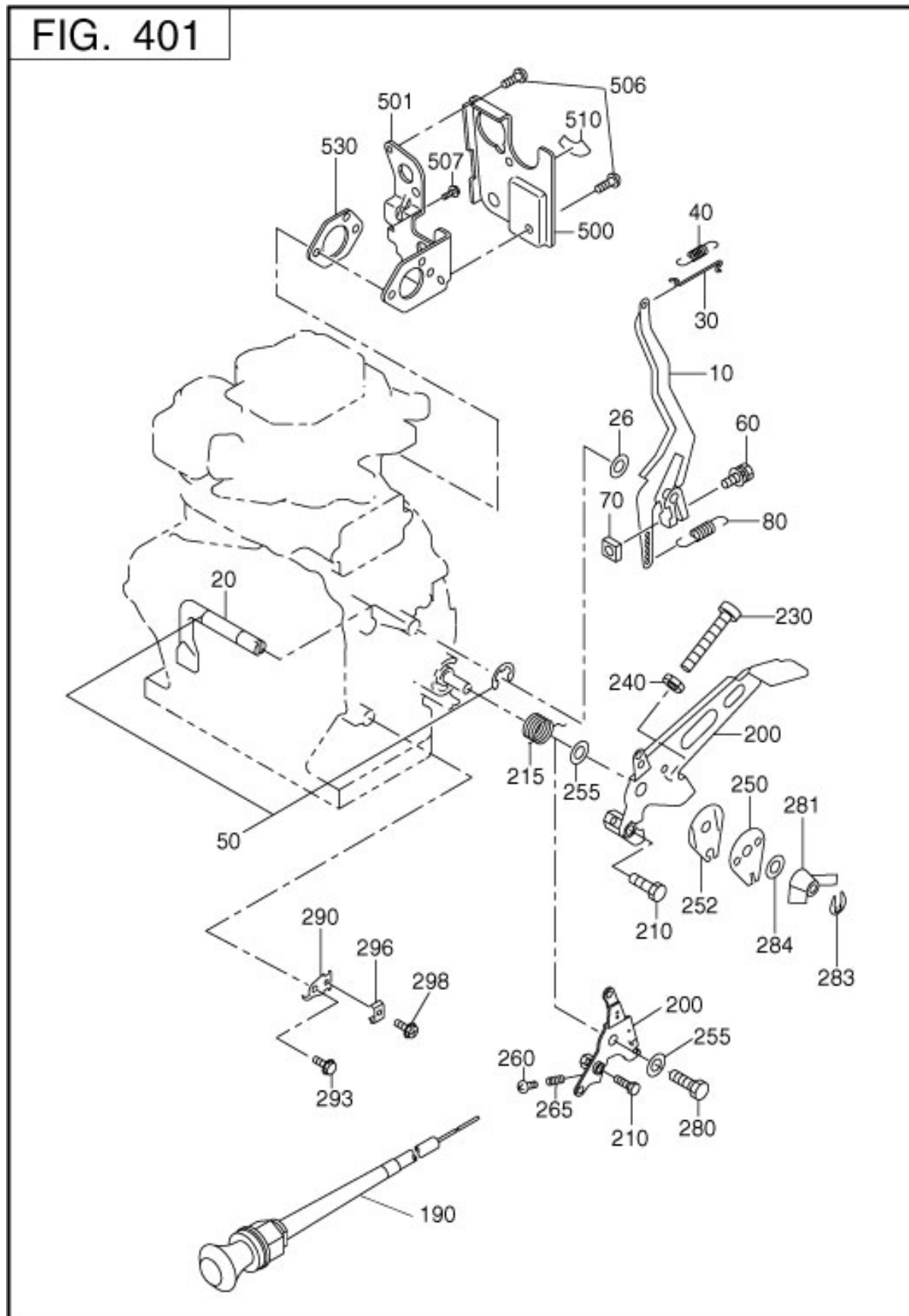
REF	PART NUMBER	PART NAME	CODE NO.	QTY	REMARKS	INTERCHANGE
510	254-32612-20	AIR CLEANER AY	4727-	1	CYCLONE	
	254-32612-10	AIR CLEANER AY	-4726	1	CYCLONE	254-32612-20
- 2	234-36003-08	PACKING	4727-	1		234-36003-03
	234-36003-08	PACKING	-4726	1		234-36003-03
- 3	207-32690-08	GROMMET	4727-	1		
	207-32690-08	GROMMET	-4726	1		
-520	234-32607-07	ELEMENT SET	4727-	1	CYCLONE	
	234-32604-07	ELEMENT SET	-4726	1	CYCLONE	234-32607-07

3 INTAKE EXHAUST



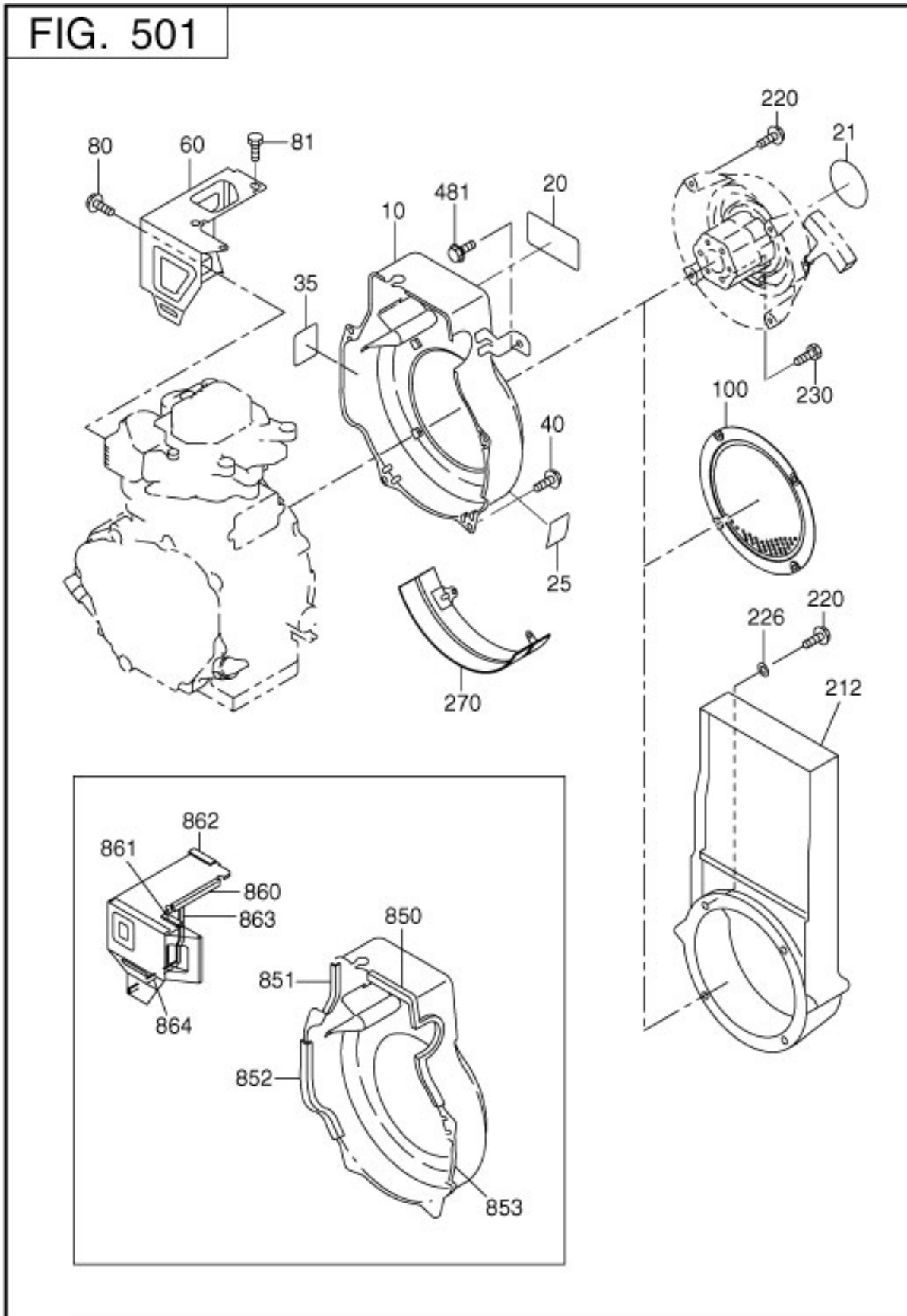
REF	PART NUMBER	PART NAME	CODE NO.	QTY	REMARKS	INTERCHANGE
310	246-30101-31	MUFFLER CP	4609-	1		
	246-30101-21	MUFFLER CP	-4608	1		
320	246-34201-31	MUFFLER COVER CP	4609-	1		
	246-34201-21	MUFFLER COVER CP	-4608	1		246-34201-31
360	015-20600-90	TAPPING BOLT	4609-	2	M6X13DX10L	
	011-00600-10	FLANGE BOLT	-4608	3	M6X1.0X14DX8L	
361	011-00600-10	FLANGE BOLT	4609-	1	M6X1.0X14DX8L	
	001-11081-60	BOLT AND WASHER AY	-4608	1	M8X1.25X16L W/SW	
365	001-11081-60	BOLT AND WASHER AY	4609-	1	M8X1.25X16L W/SW	

4 GOVERNOR OPERATION



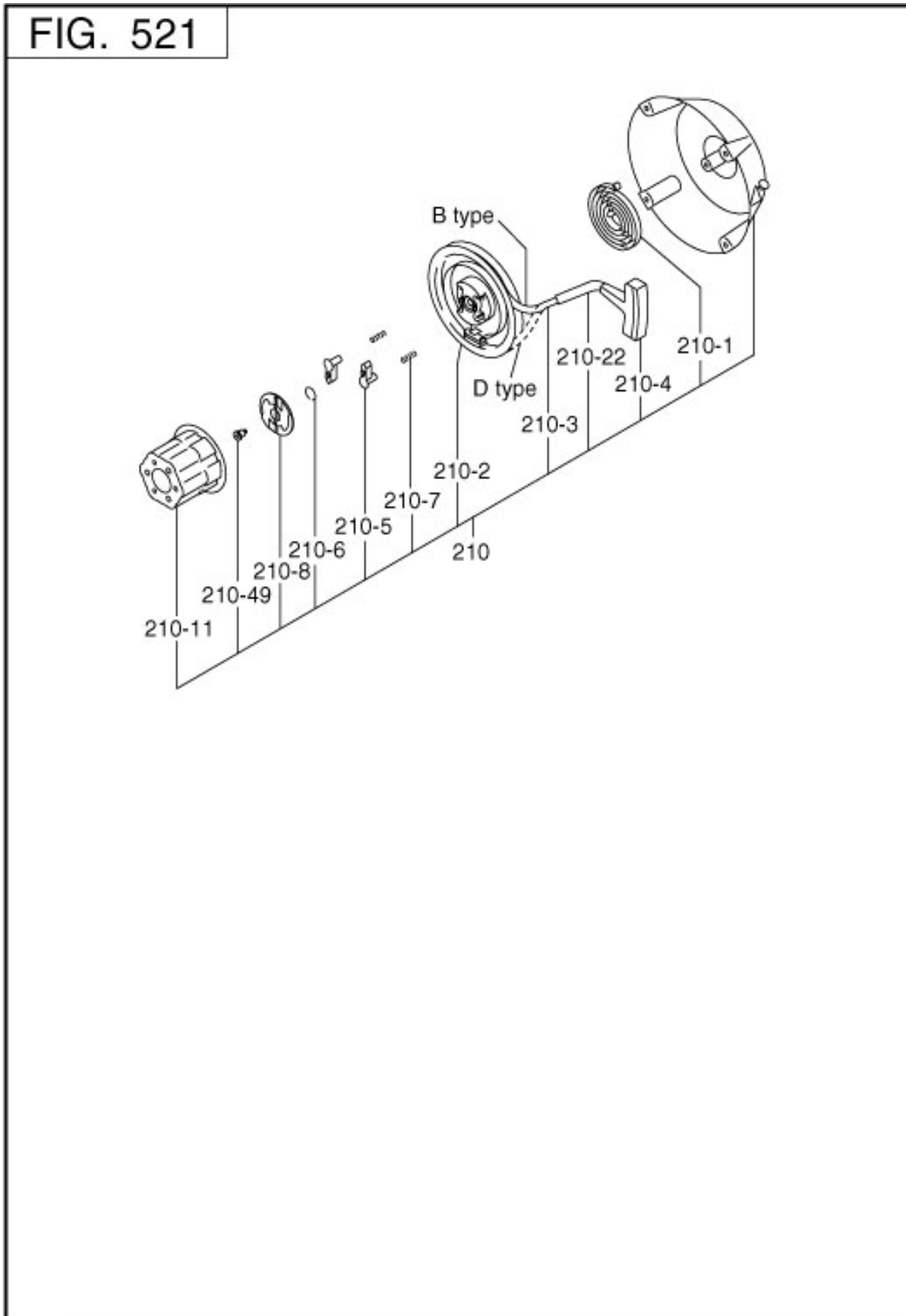
REF	PART NUMBER	PART NAME	CODE NO.	QTY	REMARKS	INTERCHANGE
10	246-42305-01	GOVERNOR LEVER CP	6696-	1		
	246-42301-21	GOVERNOR LEVER CP	5357-6695	1		
	246-42301-11	GOVERNOR LEVER CP	-5356	1		246-42301-21
20	246-42201-23	GOVERNOR SHAFT	-	1		
26	003-11080-00	WASHER	5241-	1	8.5DX18DX1.6T	
30	234-42703-11	GOVERNOR ROD	6696-	1		
	234-42701-01	GOVERNOR ROD	-6695	1		
40	246-42801-13	ROD SPRING	-	1	5DX0.5DX33L N=16	
50	003-13060-00	CLIP	-	2	6DX12DX0.8T	
60	001-14062-50	BOLT AND WASHER AY	-	1	M6X1.0X25L W/W,SW	
70	018-60600-20	NUT	-	1	M6X1.0X4.9H SQUARE	
80	246-42501-23	GOVERNOR SPRING	-	1	6.6DX1.0DX50L N=14	246-42503-01
200	246-43302-11	SPEED CONTROL CP	-	1		
230	004-31053-50	SCREW,PANHEAD	-	1	M5X0.8X35L	
240	002-17050-00	NUT	-	1	M5X0.8X4H	
250	239-43501-01	STOP PLATE	-	1		
252	239-45002-03	SPRING WASHER	-	1		
255	021-70800-10	FRICTION WASHER	-	1	8.5DX16DX1.5T NYLON	
281	017-90800-12	WING NUT	-	1		
283	056-50400-10	CLIP	-	1	4DX9DX0.7T	
284	003-10080-00	WASHER	-	1	8.5DX16DX1.2T	

5 COOLING,STARTING



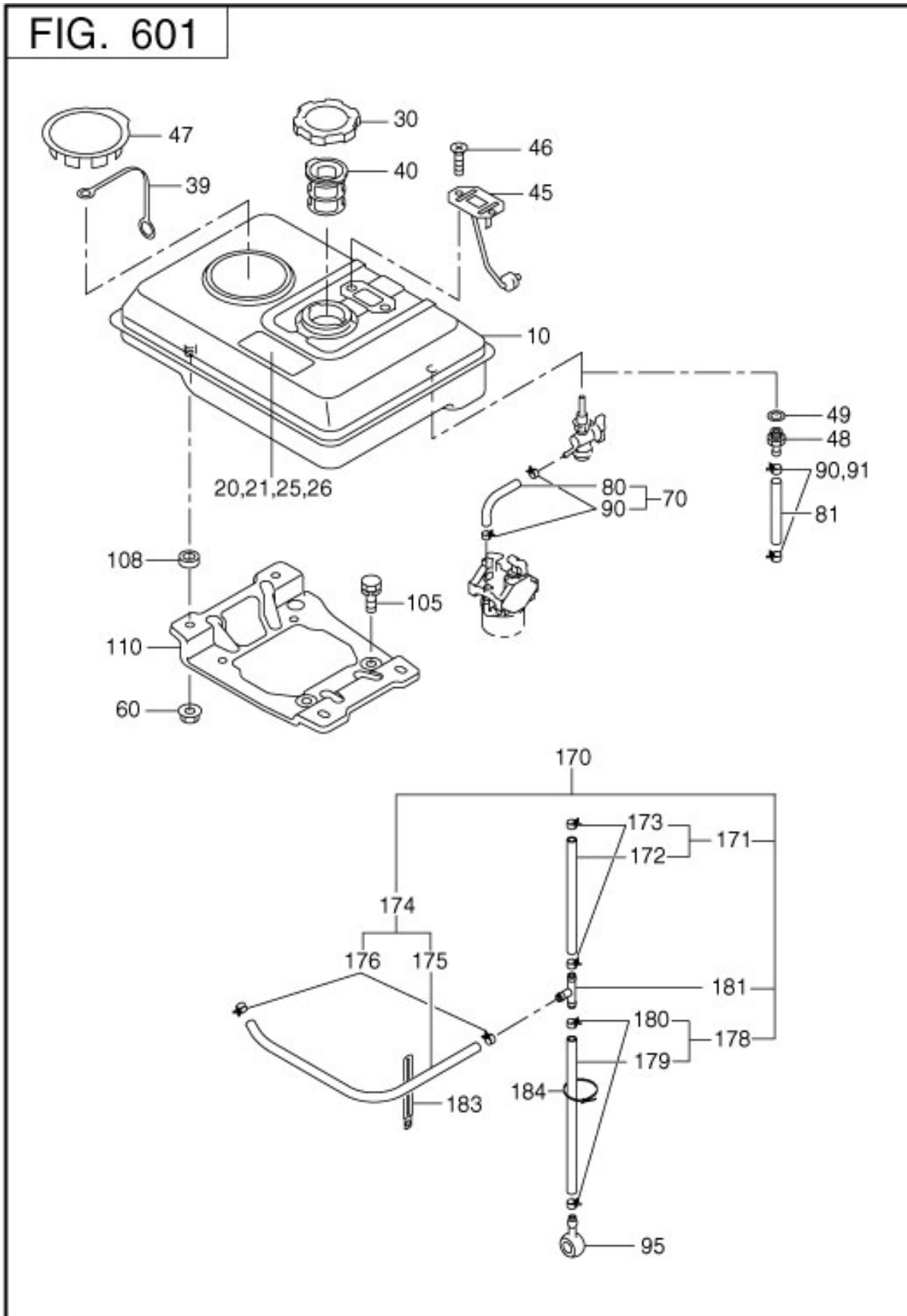
REF	PART NUMBER	PART NAME	CODE NO.	QTY	REMARKS	INTERCHANGE
10	246-51106-11	BLOWER HOUSING CP	-	1		
20	247-95111-03	LABEL(MODEL)	6788-	1	50X95	
	247-91707-03	LABEL(TRADE MARK)	-6787	1	50X95	247-95111-03
21	073-20054-80	LABEL(TRADE MARK)	6788-	1	88D	
35	247-91801-23	LABEL(ENGINE NAME)	-	1		
40	011-00600-10	FLANGE BOLT	-	4	M6X1.0X14DX8L	
60	246-52701-11	CYLINDER BAFFLE CP	-	1		
80	011-00600-10	FLANGE BOLT	-	1	M6X1.0X14DX8L	
220	011-00600-10	FLANGE BOLT	-	4	M6X1.0X14DX8L	
230	001-65081-20	BOLT	-	3	M8X1.25X12L	

5 COOLING,STARTING



REF	PART NUMBER	PART NAME	CODE NO.	QTY	REMARKS	INTERCHANGE
210	246-50101-30	RECOIL STARTER AY	4766-	1		246-50101-40
	246-50101-20	RECOIL STARTER AY	-4765	1		246-50101-30
- 1	261-50115-08	SPIRAL SPRING	4766-	1		
	261-50115-08	SPIRAL SPRING	-4765	1		
- 2	246-50120-08	REEL	4766-	1		
	246-50120-08	REEL	-4765	1		
- 3	226-50113-08	STARTER ROPE	4766-	1		
	226-50113-08	STARTER ROPE	-4765	1		
- 4	261-50100-08	STARTER KNOB	4766-	1		261-50100-18
	261-50100-08	STARTER KNOB	-4765	1		261-50100-18
- 5	246-50125-08	RATCHET	4766-	2		
	246-50125-08	RATCHET	-4765	2		
- 6	246-50130-08	FRICTION SPRING	4766-	1		
	246-50130-08	FRICTION SPRING	-4765	1		
- 7	227-50135-08	RETURN SPRING	4766-	2		
	227-50135-08	RETURN SPRING	-4765	2		
- 8	246-50161-08	RATCHET GUIDE	4766-	1		
	246-50161-08	RATCHET GUIDE	-4765	1		
- 11	246-50147-08	STARTER PULLY	4766-	1		
	246-50147-08	STARTER PULLY	-4765	1		
- 49	227-50152-08	SET SCREW	4766-	1		
	227-50152-08	SET SCREW	-4765	1		

6 FUEL,LUBRICANT

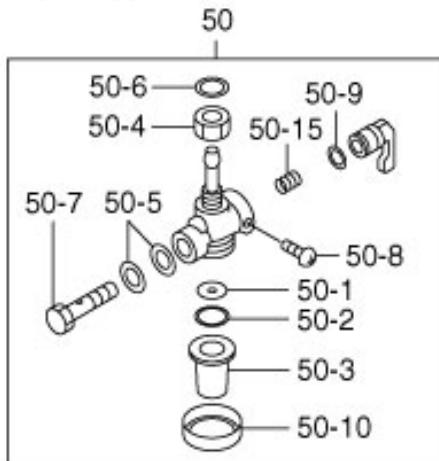


REF	PART NUMBER	PART NAME	CODE NO.	QTY	REMARKS	INTERCHANGE
10	246-60509-11	FUEL TANK CP	-	1		246-60109-11
20	073-20047-10	LABEL(CAUTION)	-	1	38X111 JAPAN	
25	073-20041-50	LABEL(PLUG COVER)	-	1		
30	043-04300-15	FUEL TANK CAP CP	-	1	42.5DX68DX14H	
39	246-66002-03	JOINT	-	1		
40	064-13600-10	FUEL FILTER	-	1	36DX46DX43H	X64-13600-10
45	064-80001-00	FUEL GAUGE CP	-	1		
46	014-50500-40	SCREW(COUNTER HEAD)	-	2	M5X0.8X10L	
47	246-66001-03	PLUG COVER	-	1		
60	002-38080-00	FLANGE NUT	-	4	M8X1.25X17DX7.5H	
70	224-62611-01	FUEL PIPE 11 CP	-	1	6DX12DX100L	
80	085-10602-30	RUBBER PIPE	-	1	6DX12DX100L	085-10600-00
90	056-11100-20	HOSE CLAMP	-	2	11.5DX8BX0.7T	
105	001-13102-00	BOLT AND WASHER AY	-	4	M10X1.25X20L W/SW	
110	246-61601-21	FUEL TANK BRACKET	-	1		

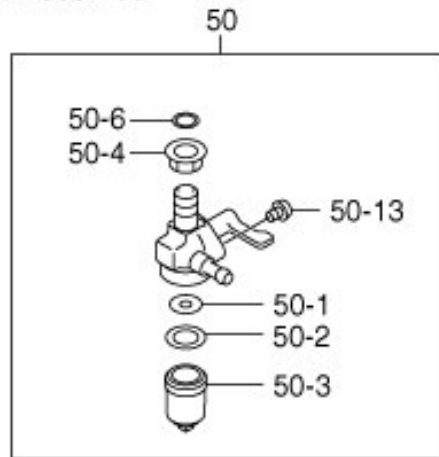
6 FUEL,LUBRICANT

FIG. 631

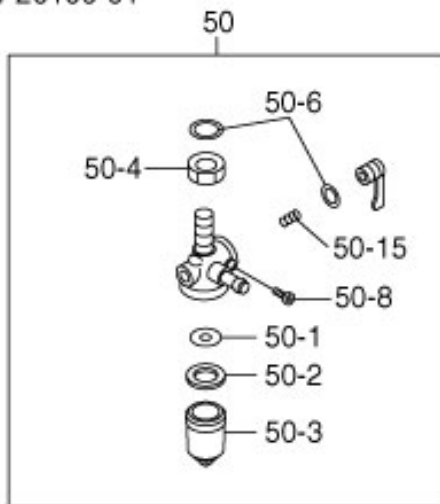
064-20021-01
064-20023-01
064-20071-01
064-20085-00
064-20089-00
064-20113-00
064-20114-00



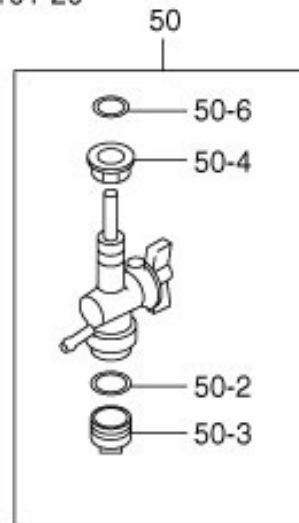
064-20084-00



064-20100-01



246-62101-20

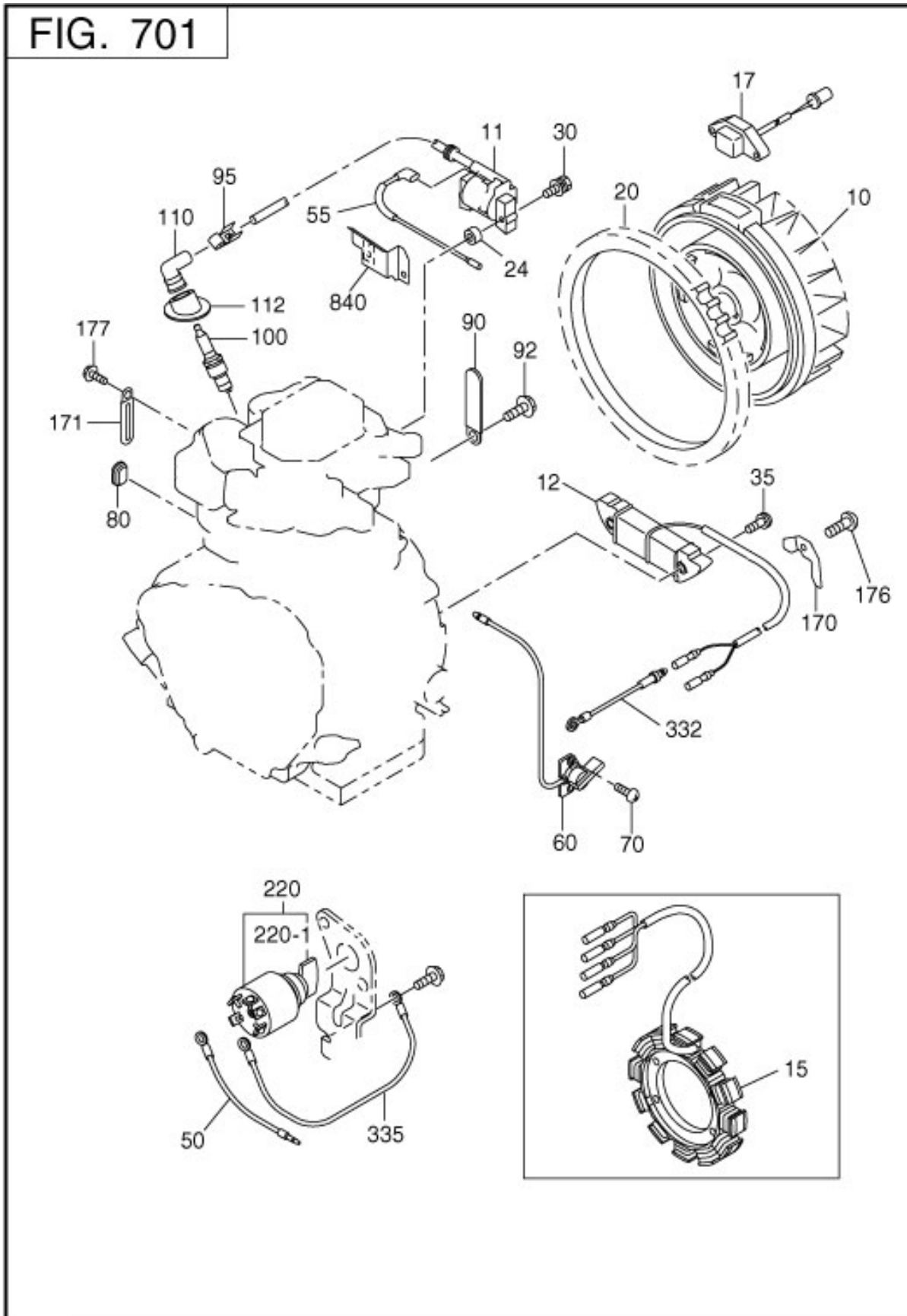


REF	PART NUMBER	PART NAME	CODE NO.	QTY	REMARKS	INTERCHANGE
50	246-62101-20	FUEL STRAINER AY	-	1		
- 2	064-20064-10	PACKING	-	1		
- 3	064-20042-10	CUP	-	1		
- 4	064-20064-30	NUT	-	1		
- 6	064-20064-40	PACKING	-	1		

REF	PART NUMBER	PART NAME	CODE NO.	QTY	REMARKS	INTERCHANGE
210	247-62316-10	CARBURETOR AY	4319-	1		
	247-62316-00	CARBURETOR AY	-4318	1		247-62316-10
- 1	213-62535-08	THROTTLE VALVE	4319-	1		
	213-62535-08	THROTTLE VALVE	-4318	1		
- 2	209-62351-08	SCREW	4319-	2		
	209-62351-08	SCREW	-4318	2		
- 3	234-62525-08	CHOKE VALVE	4319-	1		
	234-62525-08	CHOKE VALVE	-4318	1		
- 4	237-62451-08	SCREW	4319-	2		
	237-62451-08	SCREW	-4318	2		
- 5	214-62420-08	PILOT JET	4319-	1	#42.5	
	214-62420-08	PILOT JET	-4318	1	#42.5	
- 6	209-62305-08	PILOT SCREW	4319-	1		
	209-62305-08	PILOT SCREW	-4318	1		
- 7	209-62445-08	SPRING	4319-	1		
	209-62445-08	SPRING	-4318	1		
- 8	234-62521-08	LEVER AY (CHOKE)	4319-	1		
	234-62521-08	LEVER AY (CHOKE)	-4318	1		
- 9	234-62550-08	RING	4319-	1		
	234-62550-08	RING	-4318	1		
- 11	246-62531-08	THROTLE SHAFT-A	4319-	1		
	246-62531-08	THROTLE SHAFT-A	-4318	1		
- 12	224-62544-08	BOLT	4319-	1		
	224-62544-08	BOLT	-4318	1		
- 13	226-62550-08	RING	4319-	1		
	226-62550-08	RING	-4318	1		
- 14	224-62312-18	NEEDLE-A	4319-	1		
	224-62312-08	NEEDLE VALVE AY	-4318	1		224-62312-18
- 15	214-62515-08	PIN	4319-	1		
	214-62515-08	PIN	-4318	1		

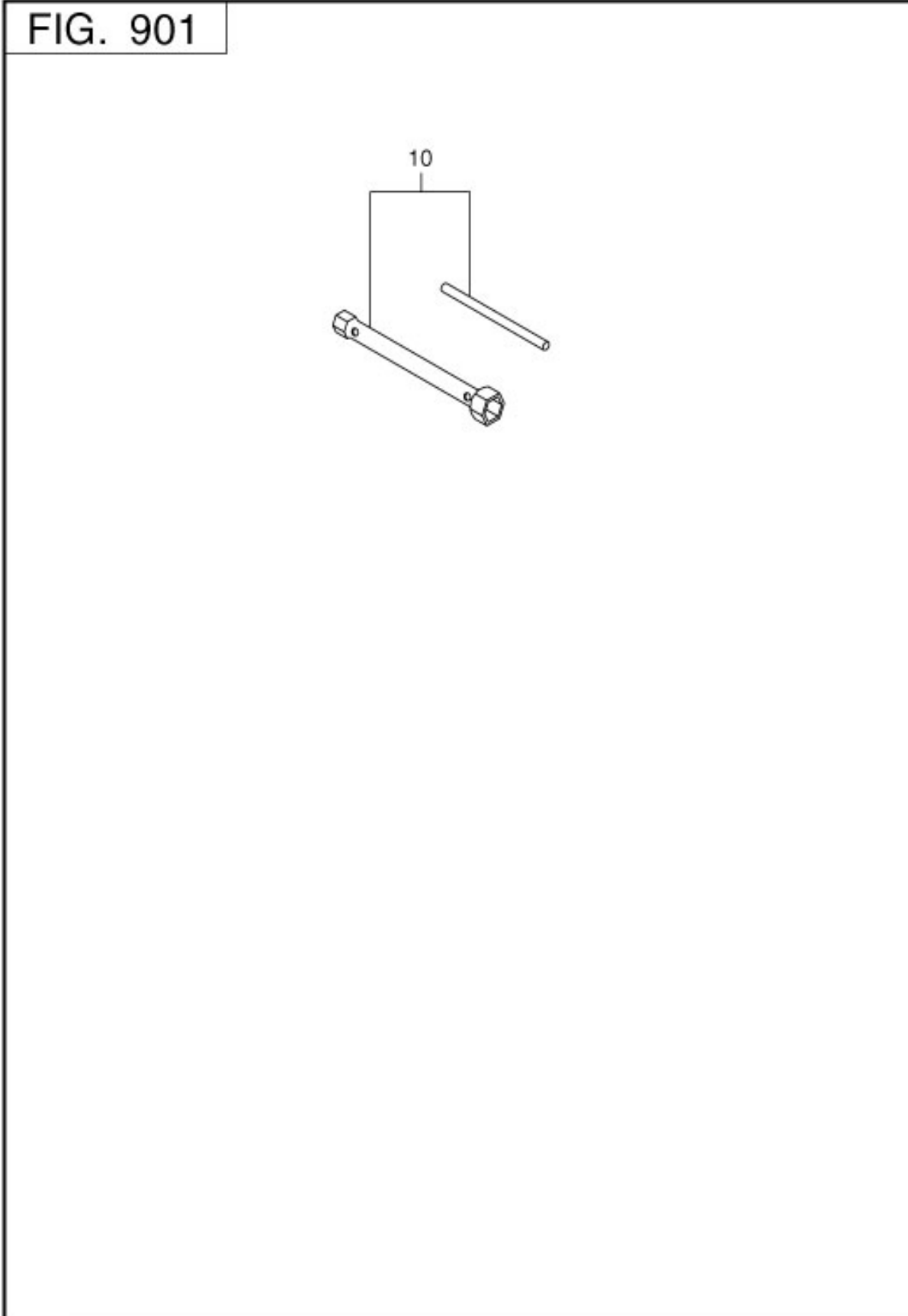
REF	PART NUMBER	PART NAME	CODE NO.	QTY	REMARKS	INTERCHANGE
- 16	224-62552-08	FLOAT CHAMBER BODY	4319-	1		
	224-62552-08	FLOAT CHAMBER BODY	-4318	1		
- 17	207-62345-08	INSERT WASHER	4319-	1		
	207-62345-08	INSERT WASHER	-4318	1		
- 18	206-62540-08	PACKING	4319-	1		
	206-62540-08	PACKING	-4318	1		
- 19	234-62506-08	FLOAT-A	4319-	1		
	234-62506-08	FLOAT-A	-4318	1		
- 20	246-62441-08	MAIN NOZZLE	4319-	1		
	246-62441-08	MAIN NOZZLE	-4318	1		
- 21	246-62425-08	JET HOLDER	4319-	1		
	246-62425-08	JET HOLDER	-4318	1		
- 22	234-62401-08	MAIN JET	4319-	1	#97.5	
	234-62401-08	MAIN JET	-4318	1	#97.5	
- 23	227-62450-08	BOLT	4319-	1		
	227-62450-08	BOLT	-4318	1		
- 24	224-62569-18	CLIP	4319-	1		
	224-62569-08	CLIP	-4318	1		224-62569-18
- 40	246-62435-08	ADJUST SCREW	4319-	1		
	246-62435-08	ADJUST SCREW	-4318	1		
- 41	209-62445-08	SPRING	4319-	1		
	209-62445-08	SPRING	-4318	1		
- 44	247-62410-08	AIR JET	4319-	1		
	247-62410-08	AIR JET	-4318	1		
- 45	246-62410-08	AIR JET	4319-	1		
	246-62410-08	AIR JET	-4318	1		

7 ELECTRIC DEVICE



REF	PART NUMBER	PART NAME	CODE NO.	QTY	REMARKS	INTERCHANGE
10	246-77100-21	FLYWHEEL CP	-	1		
11	246-78201-21	IGNITION COIL CP	-	1	MARK FT008B	
30	001-14063-00	BOLT AND WASHER AY	-	2	M6X1.0X30L W/W,SW	
55	246-73101-01	WIRE 1 CP	-	1	L=230 BLACK	
60	066-00004-70	SWITCH AY	7275-	1		066-00004-71
	X66-00003-61	SWITCH AY	6666-7274	1		066-00004-71
	066-00003-61	SWITCH AY	-6665	1		066-00004-70
70	015-00400-90	TAPPING SCREW	-	2	M4X12L	
80	227-75001-03	GROMMET	-	1		
90	056-60002-50	CLAMP	-	1	6.5DX10BX95LX0.6T	
92	011-00600-10	FLANGE BOLT	-	1	M6X1.0X14DX8L	
100	065-01401-00	SPARK PLUG	-	1	NGK B6ES	
110	065-50000-51	SPARK PLUG CAP	-	1		

9 ACCESSORIES,LABEL



REF	PART NUMBER	PART NAME	CODE NO.	QTY	REMARKS	INTERCHANGE
10	224-90303-00	ACCESSORY TOOL KIT	-	1		

10 TOKUSOHIN

FIG. 1001

(Illustrations are excluded.)

(**FIG 1001**は単独発送部品につき、
イラストは省略します。)

REF	PART NUMBER	PART NAME	CODE NO.	QTY	REMARKS	INTERCHANGE
1	31D-35001-01	MOUNT CP	5017-	2		
5	31D-35002-01	MOUNT CP	5017-	2		